



# EVERPURE® SR-X FEEDER

## SUPERIOR SCALE PREVENTION AND CORROSION CONTROL

SRX Feeder: EV9798-45  
SS-IMF Cartridge: EV9799-32



### APPLICATIONS

Scale Reduction  
Ice

### FEATURES • BENEFITS

A complete system that effectively targets scale in both hot and cold environments

Provides protection against equipment corrosion

A sophisticated blend of polyphosphate compound represents an advancement in scale inhibition

Patented design dispenses a controlled amount of Hydroblend™ for long-term protection and provides greater effectiveness than standard phosphate treatments

Clear bowl and cartridge make it easy to determine when Hydroblend™ compound is exhausted

SS-10 cartridge is more effective in higher alkalinity/hardness/TDS/temperature installations

System includes SR-X housing, SS-IMF cartridge and Spacer

The SS-IMF is NSF® certified under NSF/ANSI Standard 42 for material requirements only

### INSTALLATION TIPS

Choose a mounting location suitable to support the full weight of the system when operating.

Make sure to properly lubricate o-ring prior to use.

Use 3/4" water line (optional reducer bushings included).

Install vertically with bowl hanging down.

Allow 2 1/2" (6.35 cm) clearance below the cartridge for easy cartridge replacement.

### OPERATION TIPS

Deliming of equipment prior to application is recommended, but not required.

Inspect SS-IMF cartridge at least every six (6) months.

Replace SS-IMF cartridge before Hydroblend™ compound is completely dissolved.

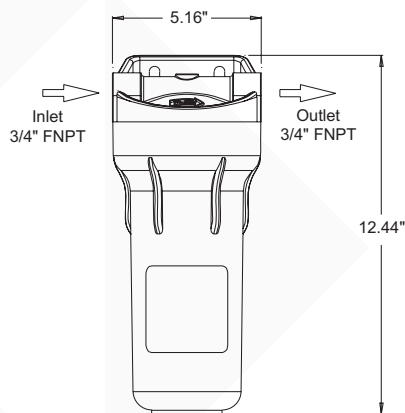
Pre-existing equipment scale may come loose and clog equipment. Remove any loose scale to assure satisfactory operation.

### SIZING

Service Flow Rate: Maximum 6.0 gpm (22.7 Lpm)

# EVERPURE® SR-X FEEDER

## EV9798-45



The contaminants or other substances removed or reduced by this drinking water system are not necessarily in your water. Do not use with water that is microbiologically unsafe or of unknown quality without adequate disinfection before or after the system.

### SPECIFICATIONS

#### Service Flow Rate

Maximum 6.0 gpm (22.7 Lpm)

#### Pressure Requirements

10 - 125 psi (0.7 - 8.6 bar), non-shock

#### Temperature

35 - 100°F (2 - 38°C)

#### Overall Dimensions

12.44" H x 5.16" W x 5.5" D  
(31.5 cm x 13.1 cm x 13.9 cm)

#### Inlet Connection

3/4"

#### Outlet Connection

3/4"

#### Operating Weight

4 lbs (1.8 kgs)

#### Shipping Weight

6 lbs (2.7 kgs)

#### Electrical Connection

None required

### WARRANTY

Everpure water treatment systems by Pentair® (excluding replaceable elements) are covered by a limited warranty against defects in material and workmanship for a period of five years after date of purchase. Everpure replaceable elements (filter cartridges and water treatment cartridges) are covered by a limited warranty against defects in material and workmanship for a period of one year after date of purchase. See printed warranty for details. Pentair will provide a copy of the warranty upon request.



#### WATER QUALITY SYSTEMS

EVERPURE-SHURFLO WORLD HEADQUARTERS, 1040 MUIRFIELD DRIVE, HANOVER PARK, IL 60133 USA • FOODSERVICE.PENTAIR.COM  
800.942.1153 (US ONLY) • 630.307.3000 MAIN • 630.307.3030 FAX • CSEVERPURE@PENTAIR.COM EMAIL

EVERPURE-SHURFLO AUSTRALIA, 1-21 MONASH DRIVE, DANDENONG SOUTH, VIC 3175 AUSTRALIA  
011.1300 576 190 TEL • 011.61.39.562.7237 FAX • AU.EVERPURE@PENTAIR.COM EMAIL

EVERPURE-SHURFLO CHINA, 21F CLOUD 9 PLAZA, NO 1118, SHANGHAI, 200052, CHINA  
86.21.3211.4588 TEL • 86.21.3211.4580 FAX • CHINA.WATER@PENTAIR.COM EMAIL

EVERPURE-SHURFLO INDIA, GREEN BOULEVARD, B-9/A, 7TH FLOOR - TOWER B SECTOR 62, NOIDA - 201301  
91.120.419.9444 TEL • 91.120.419.9400 FAX • INDIACUSTOMER@PENTAIR.COM EMAIL

EVERPURE-SHURFLO EUROPE, PENTAIR WATER BELGIUM BVBA, INDUSTRIEPARK WOLFSTEE, TOEKOMSTLAAN 30, B-2200 HERENTALS, BELGIUM  
+32.(0).14.283.504 TEL • +32.(0).14.283.505 FAX • SALES@EVERPURE-EUROPE.COM EMAIL

EVERPURE-SHURFLO JAPAN INC., HASHIMOTO MN BLDG. 7F, 3-25-1 HASHIMOTO, MIDORI-KU, SAGAMIHARA-SHI KANAGAWA 252-0143, JAPAN  
81.(0)42.775.3011 TEL • 81.(0)42.775.3015 FAX • INFO@EVERPURE.CO.JP EMAIL

EVERPURE-SHURFLO SOUTHEAST ASIA, 390 HAVELOCK ROAD, #04-01 KING'S CENTRE, SINGAPORE 169662  
65.6768.5800 TEL • 65.6737.5149 FAX • CSEVERPURE@PENTAIR.COM EMAIL

All Pentair trademarks and logos are owned by Pentair, Inc. or its affiliates. All other registered and unregistered trademarks and logos are the property of their respective owners. Because we are continuously improving our products and services, Pentair reserves the right to change specifications without prior notice. Pentair is an equal opportunity employer.